

**Swann Technical Support**

All Countries E-mail: [tech@swann.com.au](mailto:tech@swann.com.au)

**Telephone Helpdesk**

UNITED STATES toll free

877-274-3695

(Sun-Thurs, 2pm-10.30pm PST)

800-627-2799

(Mon-Fri, 9am-1pm PST)

**USA Exchange & Repairs**

562-777-2551

(Mon-Fri, 9am-5pm PST)

**AUSTRALIA toll free**

1300 13 8324

(Mon-Fri, 9am-5.30pm Aus EST)

**International**

+61 3 8412 4610

(Mon-Fri, 9am-5.30pm Aus EST)

See <http://www.worldtimeserver.com> for information on different time zones and the time in Melbourne Australia compare to your local time.

**Warranty Information**

Swann Communications warrants this product against defects in workmanship and material for a period of one (1) year from its original purchase date. You must present your receipt as proof of date of purchase for warranty validation. Any unit which proves defective during the stated period will be repaired without charge for parts or labour or replaced at the sole discretion of Swann. The repair or replacement will be warranted for either ninety days or the remainder of the original one year warranty period, whichever is longer. The end user is responsible for all freight charges incurred to send the product to Swann's repair centres. The end user is responsible for all shipping costs incurred when shipping from and to any country other than the country of origin. The warranty does not cover any incidental, accidental or consequential damages arising from the use of or the inability to use this product. Any costs associated with the fitting or removal of this product by a tradesman or other person or any other costs associated with its use are the responsibility of the end user. This warranty applies to the original purchaser of the product only and is not transferrable to any third party.

Unauthorised end user or third party modifications to any component or evidence of misuse or abuse of the device will render all warranties void.



[www.swannsecurity.com](http://www.swannsecurity.com)



# Imitation Security Device Theft Deterrent with mounting bracket



**Swann** Helpdesk  
Has the answers



**If this device does not work when you first plug it in,  
do not take it back to the store.**

- ✓ Contact the Swann Helpdesk using our fast e-mail service [tech@swann.com.au](mailto:tech@swann.com.au) or call us on one of the Toll-Free numbers shown on the back cover of this booklet.
- ✓ Most problems can be quickly and easily fixed with a simple e-mail or a quick chat with one of our friendly technical staff. (Toll-Free available in the US and Australia only)

## Installation Guide

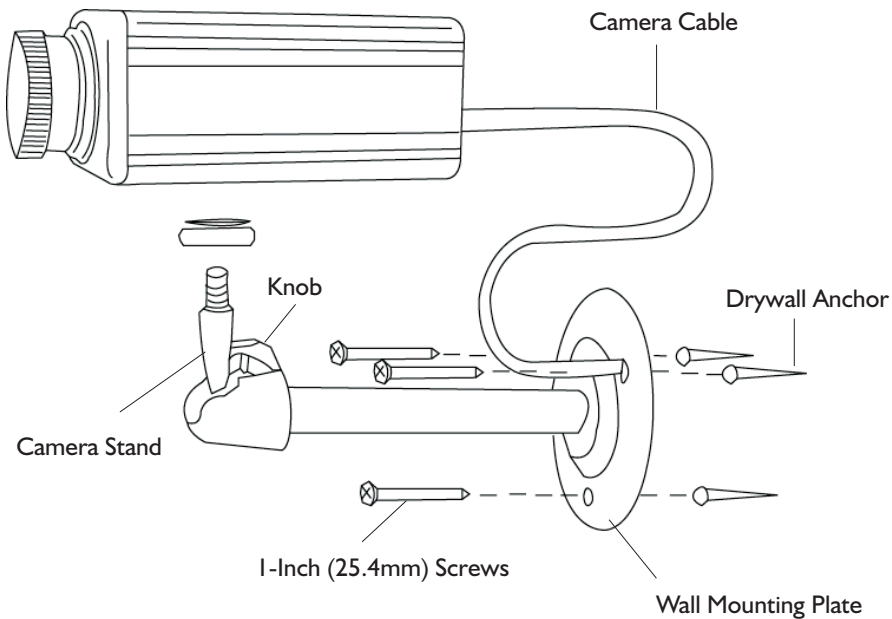
## Installation Instructions

The Imitation Security Camera is an affordable and effective theft-deterrent device. With its realistic camera casing and camera cable, it looks like a real surveillance camera. You can easily mount the imitation security camera indoors or outdoors to deter possible thieves and intruders.

Your imitation security camera comes with a wall mounting plate, camera cable, camera stand (connected to the wall mounting plate), three 1-inch (25.4mm) screws, and the three drywall anchors.

Suggestion: An economical way to catch thieves in the act is to mix Swann Imitation cameras with identical (real) Swann D-cams (product code: SW-P-DCAM).

## Mounting the camera on your wall or ceiling



## Mounting the camera on your wall or ceiling (continued)

1. Using the wall mounting plate as a template, use a pencil to mark the position of the three screw holes on the mounting location.
2. Drill three 1-inch (25.4mm) holes in the marked positions.
3. If necessary, insert the three supplied drywall anchors into the screw holes.
4. Insert a 1-inch (25.4mm) screw through each of the three screw holes in the wall mounting plate and into the mounting surface, then tighten the screws.
5. Insert the bolt at the top of the camera stand into the nut in the bottom of the imitation security camera, then use a pair of pliers to firmly tighten it.
6. Turn the camera stand's knob to tighten the swivel on the camera stand.
7. Connect the camera cable's F connector to the plug on the back of the imitation security camera.

## Using the Imitation Security Camera

### CARE

Keep the Imitation security camera dry; if it gets wet, wipe it dry immediately. Use and store the imitation security camera only in normal temperature environments. Handle the imitation security camera carefully; do not drop it. Keep the imitation security camera away from dust and dirt, and wipe it with a damp cloth occasionally to keep it looking new.

## Specifications

### Dimensions:

Camera (HWD):	1 15/16 x 1 13/16 x 5 Inches (50 x 46x127mm)
Wall Mounting Plate and Camera Stand (HD):	5 1/2 x 2 3/8 Inches (140 x 60mm)
Weight (mounted):	9.2 oz (260 g)